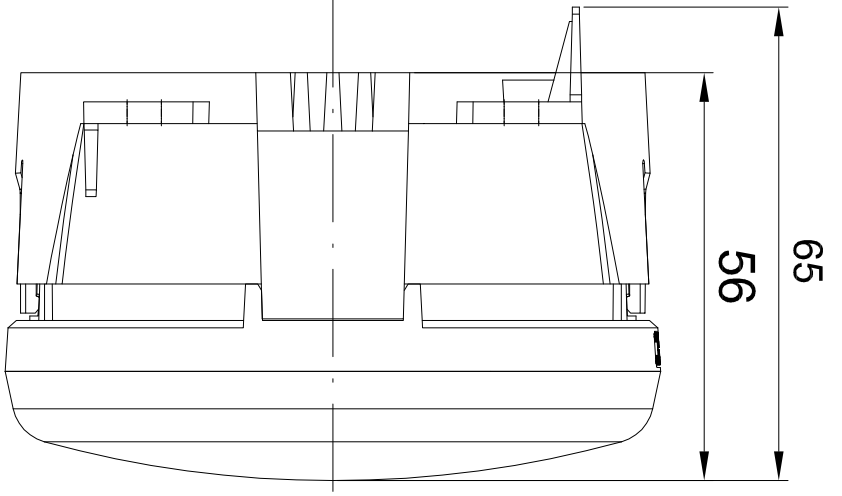
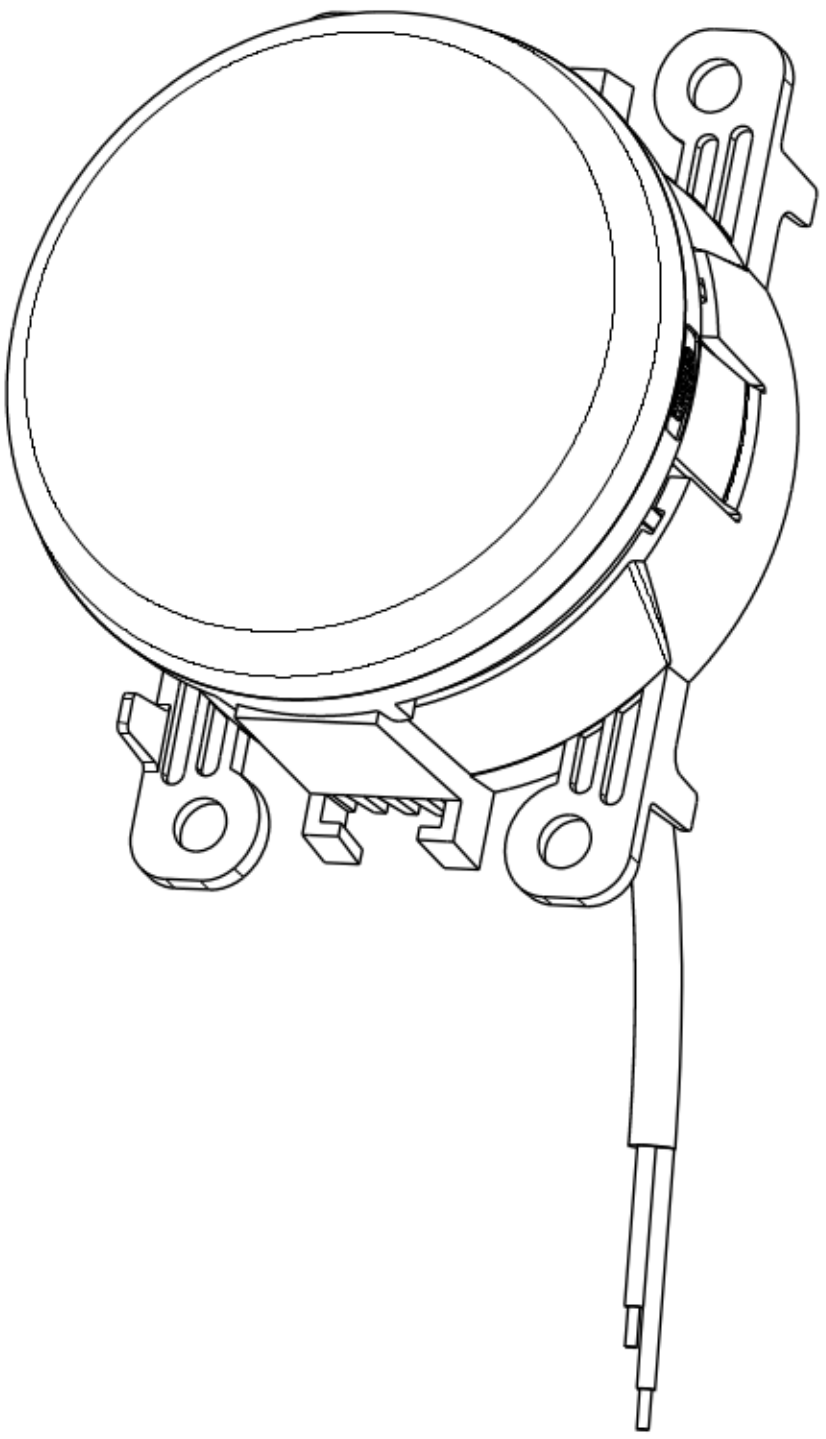
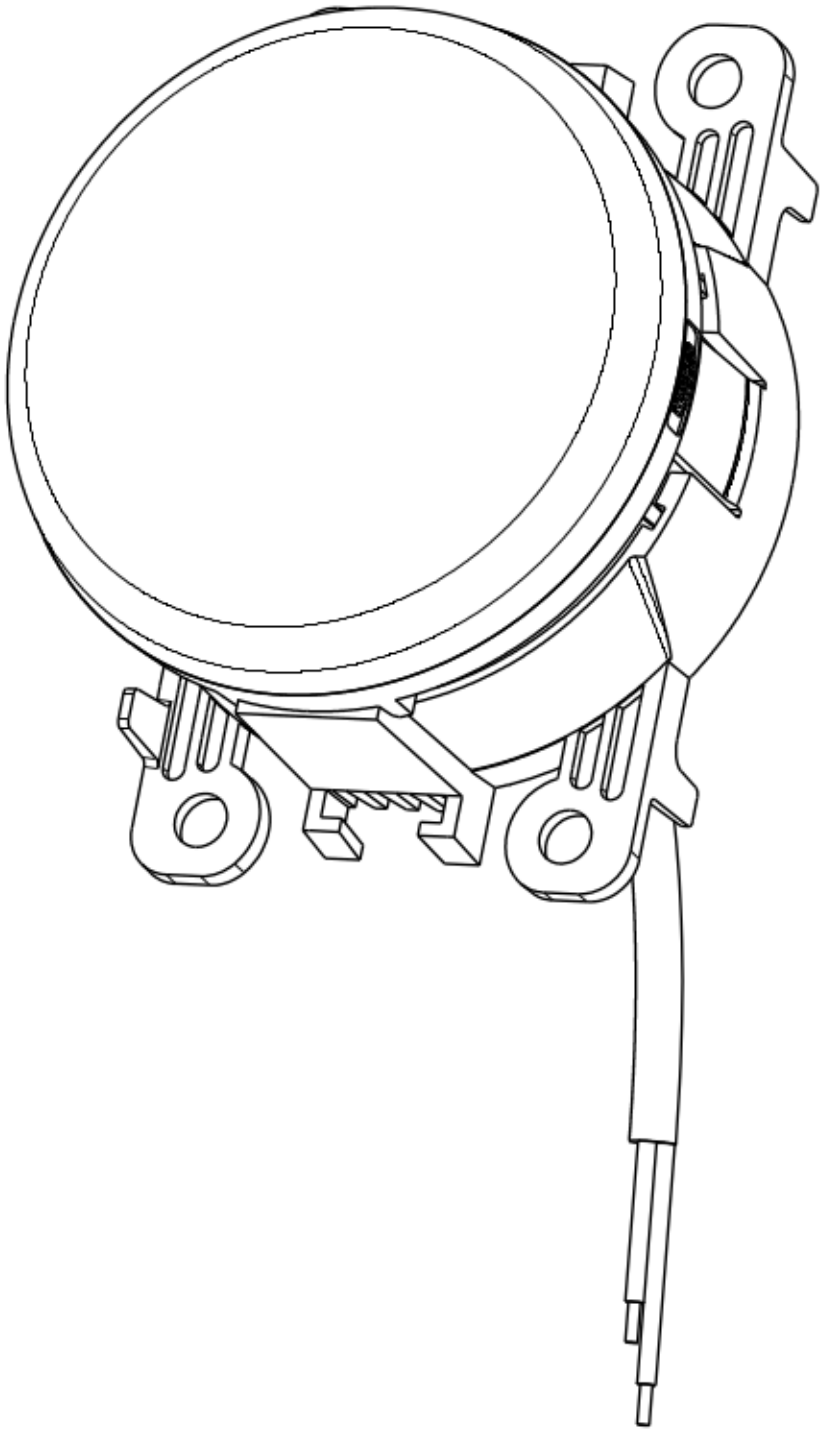


TOP
of vehicle





Isometric view
Scale: 1:1